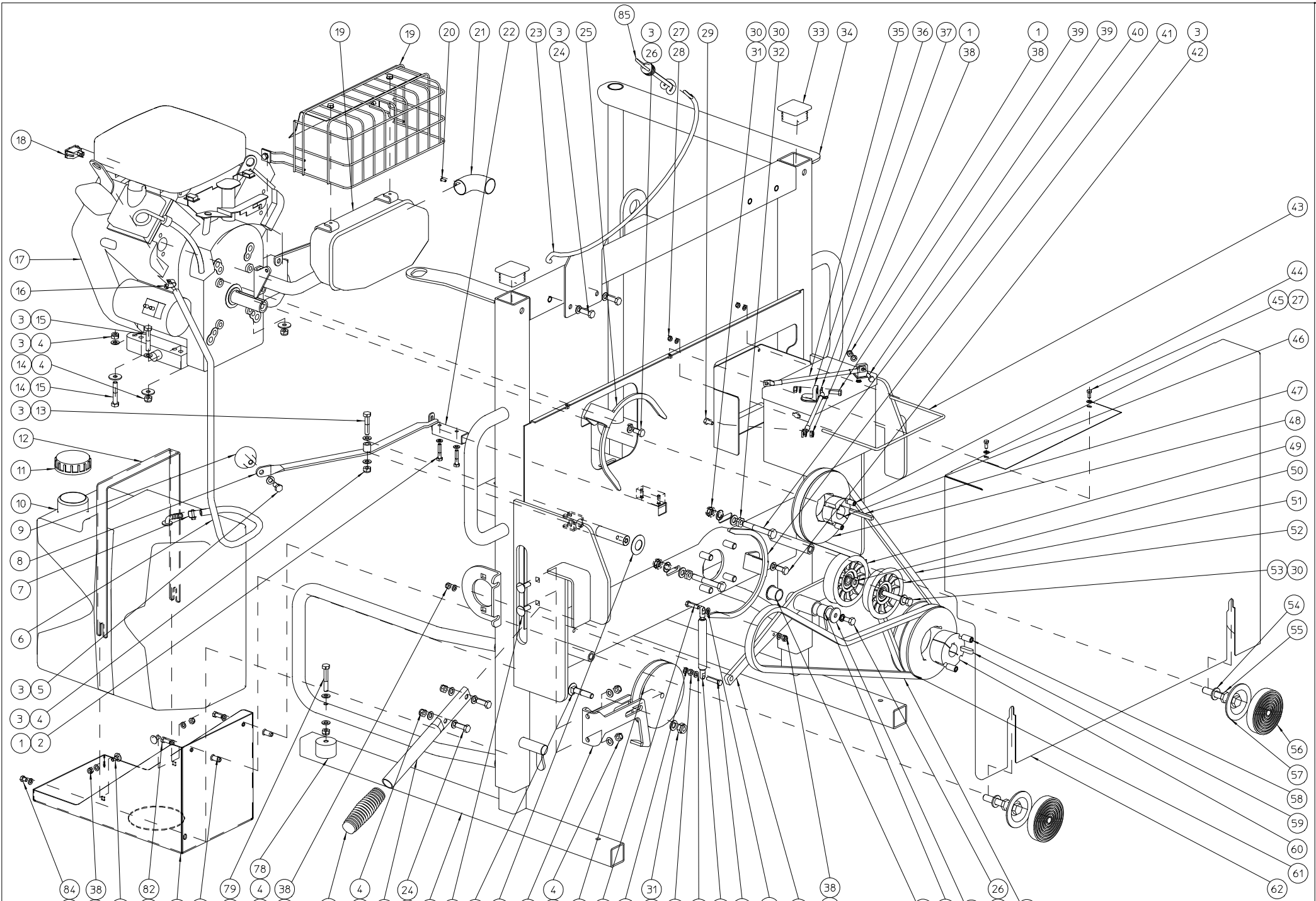


ALGEMEEN MONTAGEPLAN TRLO-2013

NO	MMA 01 150 201	REV	3	DATE	2014/01/06
----	----------------	-----	---	------	------------

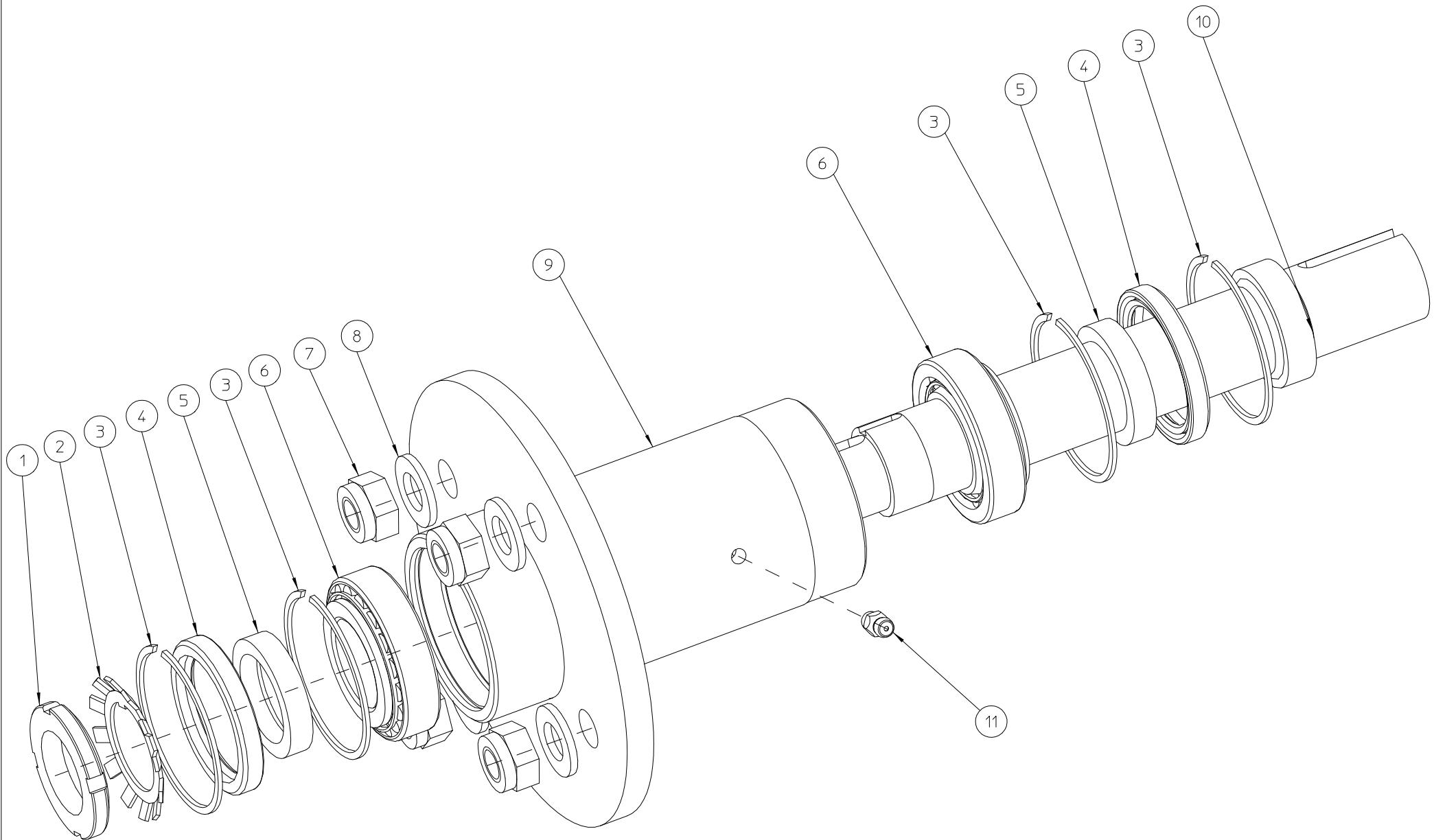
#	Order nr	article description	quantity
211	MMA 01 150 211	chassis 18hp	1
221	MMA 01 150 221	turbine bearing	1
231	MMA 01 150 231	turbine	1
241	MMA 01 150 241	suction hose assembly	1
290	MMA 01 150 290	extended output	1
311	MMA 01 150 311	chassis 13hp	1



ELIET TRLO HD -- CHASSIS 18PK					
NO	MMA 01 150 211	REV	1	DATE	2014/05/26

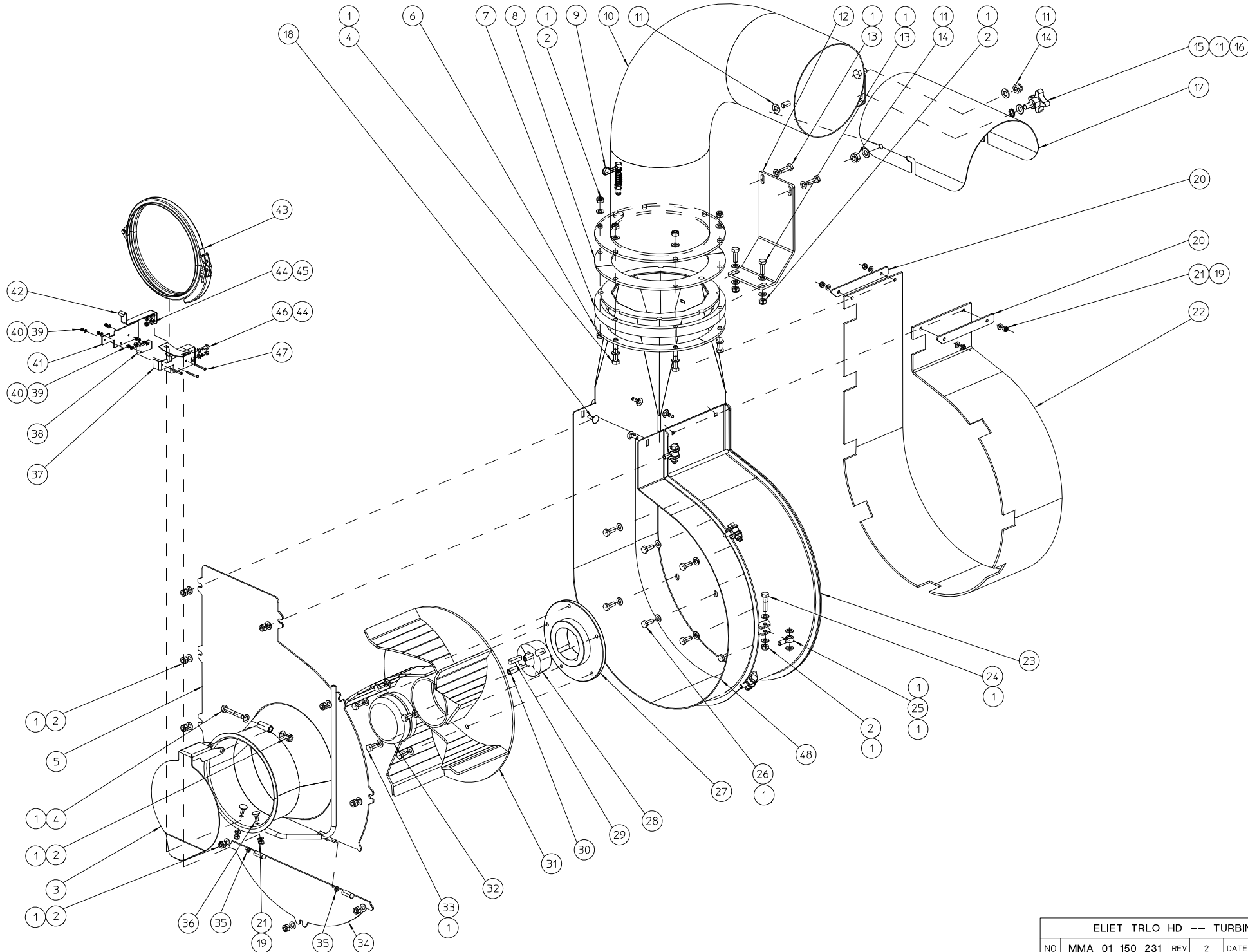
#	Order nr	article description	quantity
1	BS 531 000 600	washer m6 din 125	15
2	BS 511 000 630	bolt m6x30 din 931	2
3	BS 531 000 800	washer m8 din 125	21
4	BS 502 000 800	self locking nut m8 din 985	11
5	BS 512 000 816	bolt m8x16 din 933	1
6	BR 202 007 095	fuel hose 7.5x950mm	1
7	BT 670 111 130	hose clamp 11x13mm	1
8	MPA 01 150 875	unlocking lever	1
9	BN 631 508 000	lob knob 118-45 m8	1
10	BY 717 203 020	tank 20 litre	1
11	BH 720 503 040	cap for tank	1
12	MPA 01 150 895	yoke fuel tank	1
13	BS 511 000 840	bolt m8x40 din 931	1
14	BS 532 008 254	washer m8x25x2	4
15	BS 511 000 841	bolt m8x45 din 931	4
16	BT 670 109 110	hose clamp 9x11mm	1
17	BM 201 318 001	b&s vanguard twin 18 hp	1
18	BM 260 691 995	switch b&s -16a	1
19	BM 260 995 003	muffler	1
20	BB 221 004 100	pop plug steel 3.9x10	1
21	BT 122 172 828	copper elbow 28mm	1
22	BO 360 504 180	draw-bolt 90°	1
23	MPA 01 150 760	holder suction pipe	1
24	BS 512 000 825	bolt m8x25 din 933	4
25	MPA 01 150 885	belt catcher 16 & 18pk	1
26	BS 512 040 816	bolt unf 5/16"x5/8"	2
27	BS 531 000 500	washer m5 din 125	4
28	BS 502 000 500	self locking nut m5 din 985	2
29	BS 501 000 600	nut m6 din 934	1
30	BS 531 001 000	washer m10 din 125	6
31	BS 502 001 000	self locking nut m10 din 985	3
32	BS 501 901 000	nut m10 din 439	2
33	BR 021 150 500	cap 50x50	2
34	MPA 01 150 800	chassis	1
35	BE 090 281 401	red wire 16mm ² - 1400mm	1
36	BE 240 120 300	battery 12v 30ah	1
37	BE 090 180 201	black wire 16mm ² - 200mm	1
38	BS 502 000 600	self locking nut m6 din 985	7
39	BS 512 000 620	bolt m6x20 din 933	2
40	BS 511 001 046	bolt m10x70 din 931	2
41	MPA 01 150 890	belt catcher shaft turbine	1
42	BS 512 000 820	bolt m8x20 din 933	1
43	MPA 01 150 740	yoke battery	1
44	BB 501 310 160	set screw 3/8"x5/8"	2
45	BS 512 000 512	bolt m5x12 din 933	2
46	BB 501 231 600	taper lock tl 1610-1"	1
47	BB 342 060 657	key 6.35x6.35x57 din 6880	1
48	BA 563 714 010	pulley spb 140 for taper lock tl1610	1
49	BA 599 203 100	idler roller Ø90	1
50	BS 032 009 205	washer 20x9.5x2.5	1
51	BA 522 311 401	belt b 55 bareback	2
52	BA 599 203 101	idler roller Ø90	1

53	BS 511 041 044	bolt unf 3/8"x2"1/2	1
54	BS 531 001 200	washer m12 din 125	2
55	BS 501 901 200	nut m12 din 439	2
56	BR 900 000 110	rubber socks dia 90x18mm	2
57	MPA 01 150 190	support buffer	2
58	BB 501 311 220	set screw 7/16"x7/8"	2
59	BB 351 080 730	key 8x7x30 din 6885a	1
60	BB 501 152 500	taper lock tl 2012-25	1
61	BA 563 714 021	pulley spb ii 140 tl 2012	1
62	MPA 01 150 940	transmission guard	1
63	BS 534 000 800	lock washer m8 din 6798a	1
64	BS 532 008 306	washer m8x30x3	1
65	BR 112 202 100	nylon bushing with collar (20/24/29x21/1)	2
66	MPA 01 150 955	hinge tension pullys	1
67	BS 512 000 630	bolt m6x30 din 933	1
68	BV 520 606 001	gas struts 80n	1
69	BS 512 000 625	bolt m6x25 din 933	1
70	BA 566 712 501	pulley spb 125x10	1
71	MPA 01 150 945	pulley support	1
72	BS 033 520 103	plate spring 40 x 20.4 x 1 din 2093 c	1
73	BS 554 101 042	bolt m10x50 din 603	1
74	BS 554 100 825	bolt m8x25 din 603	2
75	MPA 01 150 185	transport bracket	2
76	MPA 01 150 960	handle	1
77	BN 230 100 400	rubber grip	1
78	BR 600 240 280	antivibration blocks 30x25e m8	2
79	BS 511 000 842	bolt m8x50 din 931	2
80	BS 503 800 632	blind rivet nut m6	2
81	MPA 01 150 950	support fuel tank	1
82	BS 512 000 616	bolt m6x16 din 933	2
83	BS 554 100 616	bolt m6x16 din 603	2
84	BS 512 000 608	bolt m6x8 din 933	1
85	BY 725 010 501	cord	1



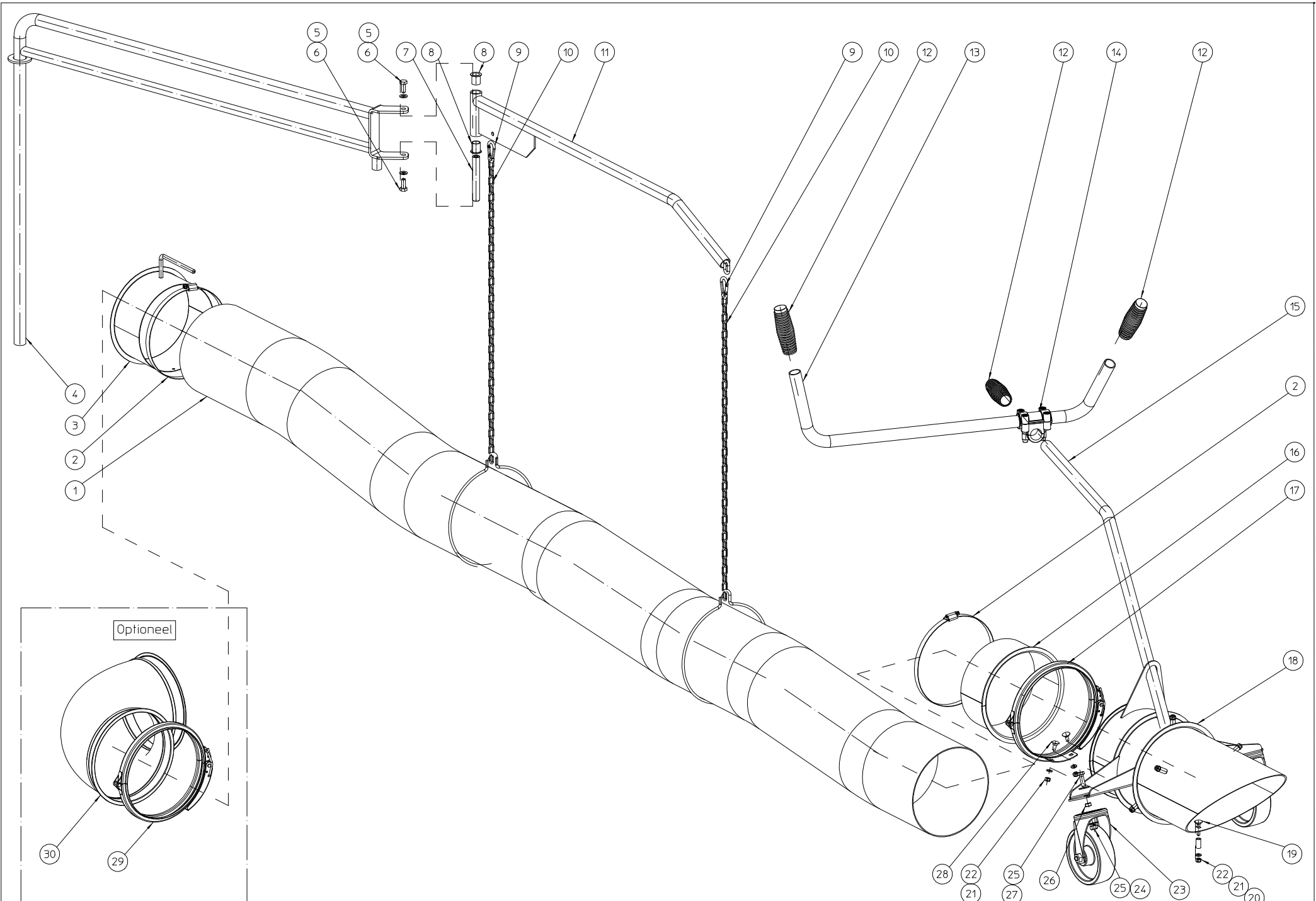
ELIET TRLO HD -- TURBINE BEARING				
NO	MMA 01 150 221	REV	1	DATE 2014/01/30

#	Order nr	article description	quantity
1	BS 008 003 000	nut m30x1,5 din 1804 w	1
2	BL 900 430 000	washer with internal sprag 403mb6	1
3	BB 004 000 550	retaining ring 55 br (57,3x2,3x1,5x56,5)	4
4	BR 302 140 550	seal 40x52x7	2
5	MPA 01 150 635	spacer ring	2
6	BL 143 005 500	bearing 4t 32006x	2
7	BS 502 001 200	self locking nut m12 din 985	4
8	BS 531 001 200	washer m12 din 125	4
9	MPA 01 150 770	bearing housing	1
10	MPA 01 150 630	turbine shaft	1
11	BY 100 106 100	grease fitting m6 din 71412	1



ELIET TRLO HD -- TURBINE					
NO	MMA 01 150 231	REV	2	DATE	2014/01/30

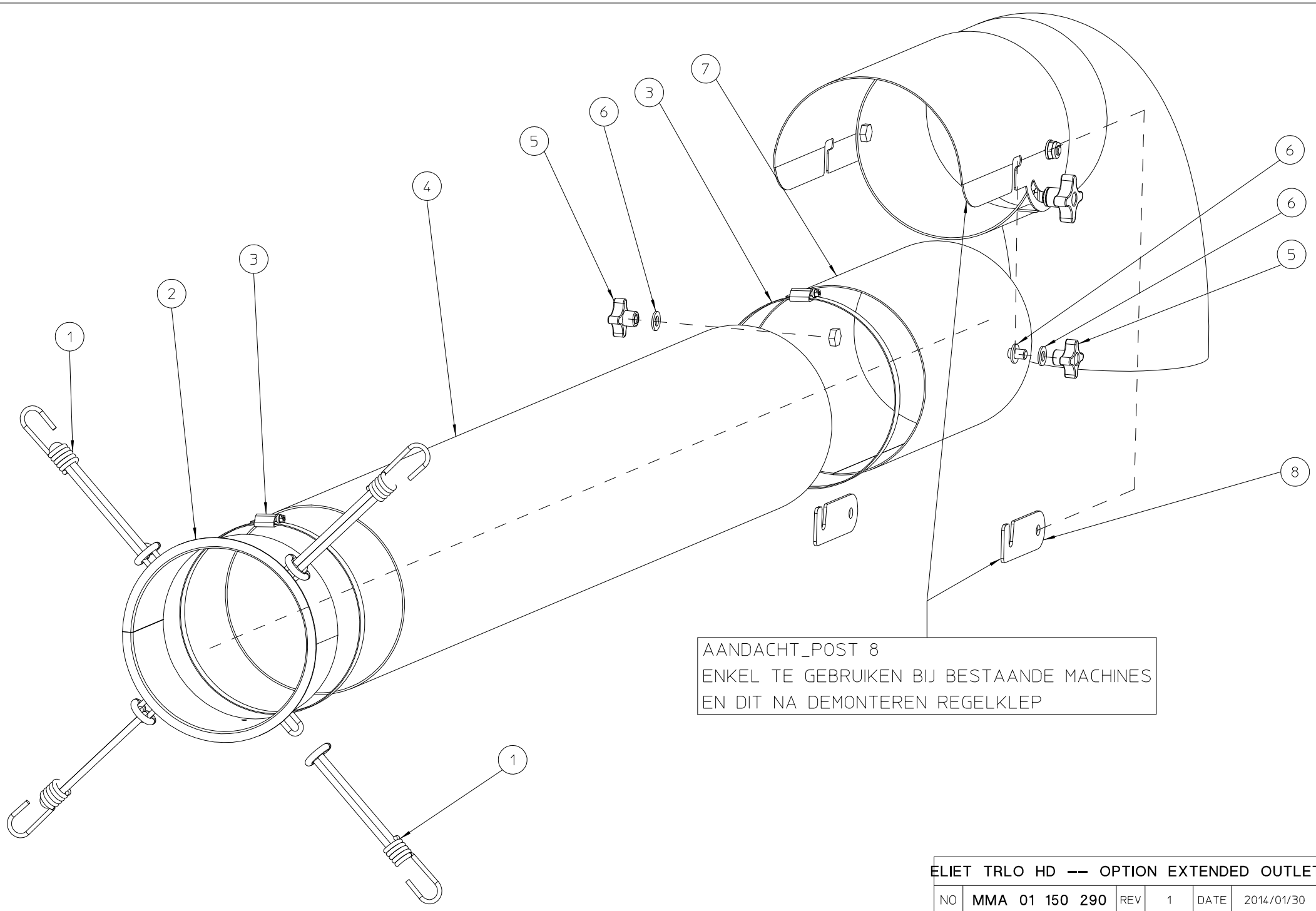
#	Order nr	article description	quantity
1	BS 531 000 800	washer m8 din 125	78
2	BS 502 000 800	self locking nut m8 din 985	27
3	MPA 01 150 695	ce-protection	1
4	BS 511 000 842	bolt m8x50 din 931	7
5	MPA 01 150 780	closing plate	1
6	MPA 01 150 735	1/2 counter flange	2
7	BR 910 000 150	nylon bushing	1
8	BR 910 000 160	nylon half-bushing	2
9	BO 100 010 104	pull-lock with wing handle 10mm	1
10	MPA 01 150 730	bend outlet turbine	1
11	BS 531 001 000	washer m10 din 125	4
12	MPA 01 150 720	support additional attachment turbine	1
13	BS 512 000 825	bolt m8x25 din 933	4
14	BS 502 001 000	self locking nut m10 din 985	2
15	BN 630 210 200	lob knob 189-50 m10x20	1
16	BS 534 001 000	lock washer m10 din 6798a	1
17	MPA 01 150 280	control valve	1
18	BS 554 100 620	bolt m6x20 din 603	4
19	BS 531 000 600	washer m6 din 125	6
20	MPA 01 140 040	fixation profile	2
21	BS 502 000 600	self locking nut m6 din 985	6
22	BR 900 001 490	rubber silencer tl 450	1
23	MPA 01 150 775	turbine housing	1
24	BS 511 000 835	bolt m8x35 din 931	9
25	BS 551 000 830	eye bolt m8x30 din 444	9
26	BS 512 000 820	bolt m8x20 din 933	8
27	BA 281 753 201	flange Ø175x32 - tl 2012	1
28	BB 501 153 000	taper lock tl 2012-30	1
29	BB 351 080 735	key 8x7x35 din 6885a	1
30	BB 501 311 220	set screw 7/16"x7/8"	2
31	MPA 01 150 200	impeller 5 wings left	1
32	BT 162 501 081	snap cap 100x40mm	1
33	BS 512 000 816	bolt m8x16 din 933	5
34	MPA 01 150 785	lower closing plate	1
35	BY 204 060 023	brass bushing	2
36	BS 554 100 616	bolt m6x16 din 603	2
37	MPA 01 150 985	contact support suction hose	1
38	BE 120 010 500	safety switch	1
39	BS 502 000 300	self locking nut m3 din 985	5
40	BS 531 000 300	washer m3 din 125	5
41	MPA 01 150 980	cover plate contact	1
42	BV 915 000 060	laminated spring 1mm	1
43	MPA 01 150 995	clamping ring	1
44	BS 531 000 500	washer m5 din 125	4
45	BS 502 000 500	self locking nut m5 din 985	2
46	BS 512 000 512	bolt m5x12 din 933	2
47	BS 522 500 330	screw m3x30 iso 7380	3
48	MPA 01 150 705	stainless steel plate	1



ELIET TRLO HD -- SUCTION HOSE ASSEMBLY

NO	MMA 01 150 241	REV	3	DATE	2014/01/30
----	----------------	-----	---	------	------------

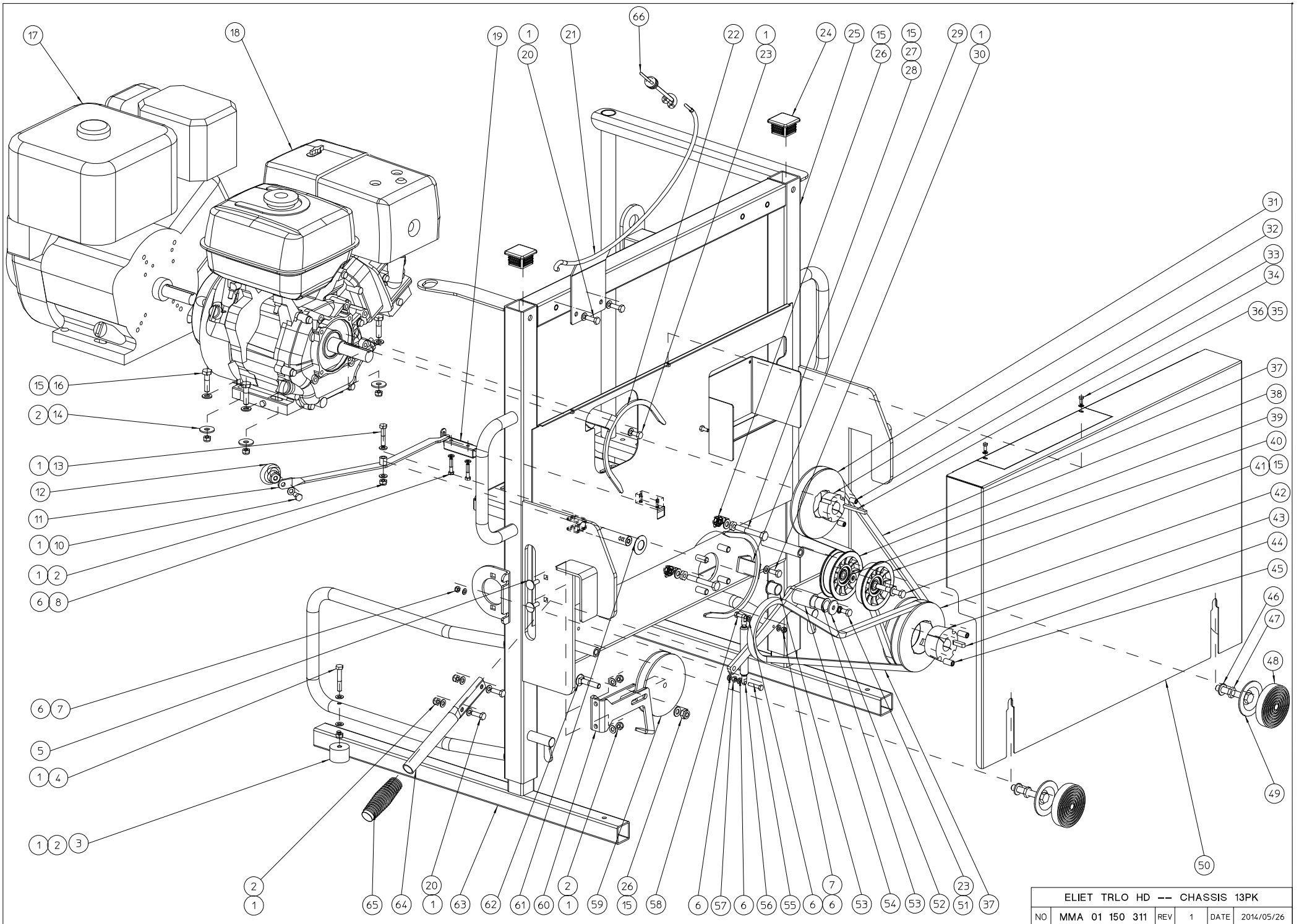
#	Order nr	article description	quantity
1	BR 220 420 035	flexible suction pipe Ø20x350cm	1
2	BT 670 217 200	hose clamp 175x200mm	2
3	MPA 01 151 000	connector	1
4	MPA 01 150 545	swinging arm basis	1
5	BS 531 000 800	washer m8 din 125	2
6	BS 512 000 820	bolt m8x20 din 933	2
7	MPA 01 150 535	hinge shaft swinging arm	1
8	BR 112 152 100	nylon bushing with collar (15.4/18/23x21/1)	2
9	BY 522 051 200	snap hook 5x50	2
10	MPA 01 150 870	support suction pipe	2
11	MPA 01 150 555	swinging arm	1
12	BN 230 100 400	rubber grip	3
13	MPA 01 151 020	handlebars	1
14	BO 770 220 261	pipe connector	1
15	MPA 01 150 505	suction hose	1
16	MPA 01 150 515	fixation	1
17	MPA 01 150 435	quick strainer	1
18	MPA 01 151 050	support pipe	1
19	BS 554 100 630	bolt m6x30 din 603	6
20	BR 111 062 000	nylon bushing (6.2/10x8)	6
21	BS 531 000 600	washer m6 din 125	8
22	BS 502 000 600	self locking nut m6 din 985	8
23	BW 411 455 480	caster wheel 125/38	2
24	BS 502 000 800	self locking nut m8 din 985	2
25	BS 532 008 223	washer m8x22x1.5	4
26	MPA 01 151 045	spacer ring	2
27	BS 512 000 825	bolt m8x25 din 933	2
28	BS 554 100 616	bolt m6x16 din 603	2
29	BT 672 020 000	quick strainer Ø 200mm	1
30	MPA 01 151 040	flange bend	1



ELIET TRLO HD --- OPTION EXTENDED OUTLET

NO	MMA 01 150 290	REV	1	DATE	2014/01/30
----	----------------	-----	---	------	------------

#	Order nr	article description	quantity
1	BY 725 012 051	cord	4
2	MPA 01 151 030	outlet flexible hose	1
3	BT 670 217 200	hose clamp 175x200mm	2
4	BR 220 420 012	flexible suction pipe Ø20x125cm	1
5	BN 630 210 200	lob knob 189-50 m10x20	2
6	BS 531 001 000	washer m10 din 125	4
7	MPA 01 151 025	coupling hose	1
8	MPA 01 151 035	tightening part	2



ELIET TRLO HD -- CHASSIS 13PK						
NO	MMA 01 150 311	REV	1	DATE	2014/05/26	

#	Order nr	article description	quantity
1	BS 531 000 800	washer m8 din 125	17
2	BS 502 000 800	self locking nut m8 din 985	11
3	BR 600 240 280	antivibration blocks 30x25e m8	2
4	BS 511 000 842	bolt m8x50 din 931	2
5	BS 554 100 825	bolt m8x25 din 603	2
6	BS 531 000 600	washer m6 din 125	7
7	BS 502 000 600	self locking nut m6 din 985	2
8	BS 511 000 630	bolt m6x30 din 931	2
10	BS 512 000 816	bolt m8x16 din 933	1
11	MPA 01 150 875	unlocking lever	1
12	BN 631 508 000	lob knob 118-45 m8	1
13	BS 511 000 840	bolt m8x40 din 931	1
14	BS 532 010 305	washer m10x30x2.5	4
15	BS 531 001 000	washer m10 din 125	10
16	BS 511 001 040	bolt m10x40 din 931	4
17	BM 201 313 000	b&s vanguard twin 13 hp (axle 1")	1
18	BM 202 113 000	honda gx 390	1
19	BO 360 504 180	draw-bolt 90°	1
20	BS 512 000 825	bolt m8x25 din 933	4
21	MPA 01 150 760	holder suction pipe	1
22	MPA 01 150 880	belt catcher 13pk	1
23	BS 512 040 816	bolt unf 5/16"x5/8"	2
24	BR 021 150 500	cap 50x50	2
25	MPA 01 150 800	chassis	1
26	BS 502 001 000	self locking nut m10 din 985	3
27	BS 501 901 000	nut m10 din 439	2
28	BS 511 001 046	bolt m10x70 din 931	2
29	MPA 01 150 890	belt catcher shaft turbine	1
30	BS 512 000 820	bolt m8x20 din 933	1
31	BA 563 714 010	pulley spb 140 for taper lock tl1610	1
32	BB 501 231 600	taper lock tl 1610-1"	1
33	BB 501 310 160	set screw 3/8"x5/8"	2
34	BB 342 060 657	key 6.35x6.35x57 din 6880	1
35	BS 531 000 500	washer m5 din 125	2
36	BS 512 000 512	bolt m5x12 din 933	2
37	BA 522 311 401	belt b 55 bareback	2
38	BA 599 203 100	idler roller Ø90	1
39	BS 032 009 205	washer 20x9.5x2.5	1
40	BA 599 203 101	idler roller Ø90	1
41	BS 511 041 044	bolt unf 3/8"x2"1/2	1
42	BA 563 714 021	pulley spb ii 140 tl 2012	1
43	BB 501 152 500	taper lock tl 2012-25	1
44	BB 351 080 730	key 8x7x30 din 6885a	1
45	BB 501 311 220	set screw 7/16"x7/8"	2
46	BS 531 001 200	washer m12 din 125	2
47	BS 501 901 200	nut m12 din 439	2
48	BR 900 000 110	rubber socks dia 90x18mm	2
49	MPA 01 150 190	support buffer	2
50	MPA 01 150 940	transmission guard	1
51	BS 534 000 800	lock washer m8 din 6798a	1
52	BS 532 008 306	washer m8x30x3	1
53	BR 112 202 100	nylon bushing with collar (20/24/29x21/1)	2

54	MPA 01 150 955	hinge tension pullys	1
55	BS 512 000 630	bolt m6x30 din 933	1
56	BV 520 606 001	gas struts 80n	1
57	BS 501 000 600	nut m6 din 934	1
58	BS 512 000 625	bolt m6x25 din 933	1
59	BA 566 712 501	pulley spb 125x10	1
60	MPA 01 150 945	pulley support	1
61	BS 033 520 103	plate spring 40 x 20.4 x 1 din 2093 c	1
62	BS 554 101 042	bolt m10x50 din 603	1
63	MPA 01 150 185	transport bracket	2
64	MPA 01 150 960	handle	1
65	BN 230 100 400	rubber grip	1
66	BY 725 010 501	cord	1